



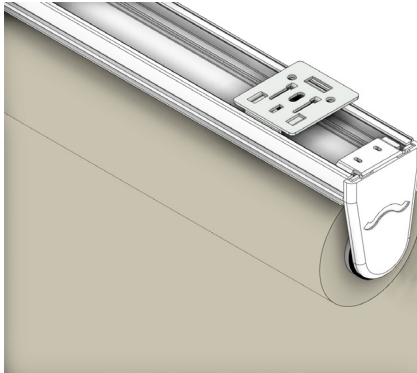
NEO SHADE - OPEN ROLL

Installation Instructions

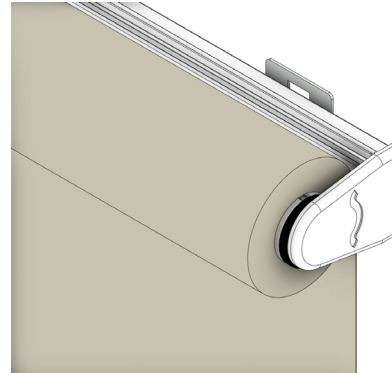
1 DETERMINE THE POSITION OF THE BRACKETS

- Determine the proper position for each bracket. The outside brackets should be no further than 2" from the ends of the cassette.
- The brackets should be securely mounted and equally spaced for the width of the shade.
- It is important that the mounting brackets be installed level and aligned to each other. Shimming may be required.

CEILING MOUNT



WALL MOUNT



2 INSTALL MOUNTING BRACKETS

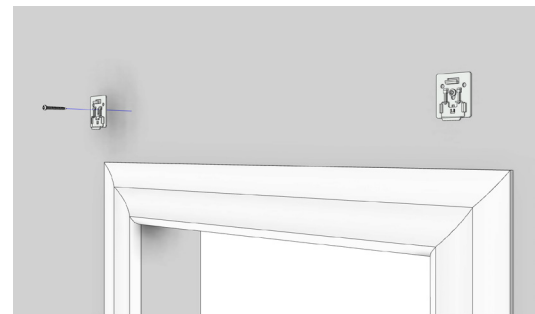
CEILING MOUNT

For ceiling mount applications, please ensure that you leave enough room to clear the roll between the wall and the mounting bracket to facilitate mounting and dismounting.



WALL MOUNT

For wall mount applications, please ensure that you leave enough room to clear the roll between the wall and the mounting bracket to facilitate mounting and dismounting.



3 INSTALL THE PRODUCT

- (1) Insert the headrail edge onto the spring-loaded mounting bracket and push toward the back.
- (2) turn upward until the opposite headrail edge is locked onto the back tab on the mounting bracket. Repeat this process for wall mounted applications as shown below.

