



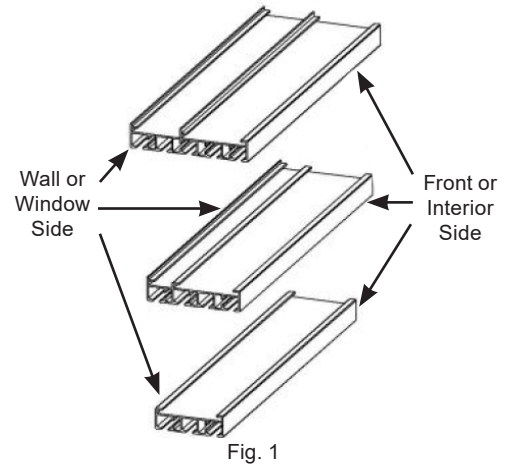
PANEL TRACK

Installation Instructions

1 BRACKET INSTALLATION

NOTE: The standard mounting brackets provided are as follows:
 2 for widths up to 60", 3 above 60" to 96", 4 or more over 96".

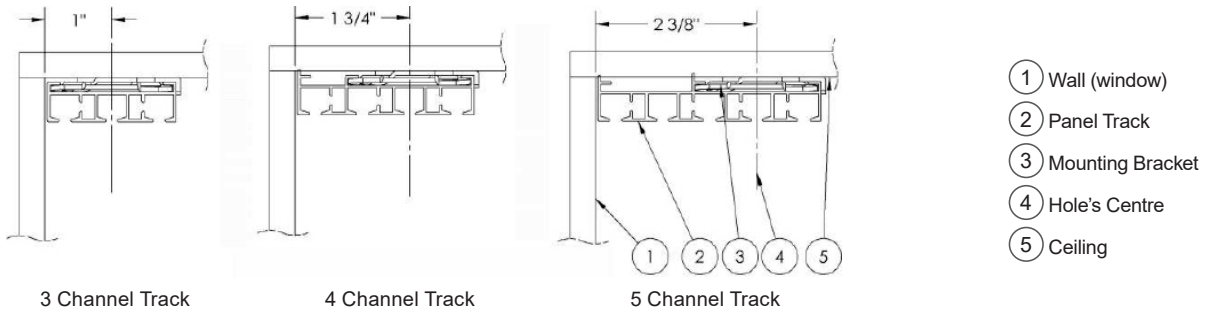
The track should be installed with the mounting channel furthest from the wall or window as in (fig. 1).



2 CEILING MOUNT PREPARATION

The centre of the hole in the swivel brackets must be located 3' from the ends of the track. All additional swivel brackets provided should be equally spaced and installed between the two end brackets. Determine the appropriate hole centre distance as shown before for 3, 4, or 5 channel track. Measure the distance and mark the ceiling. Ensure that you leave enough room to clear the wall to facilitate mounting and dismantling the system.

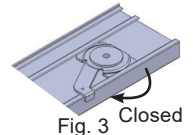
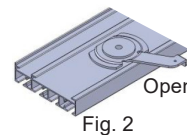
NOTE: Do not over-tighten the screws. The brackets must be loose enough to rotate.



3 TRACK INSTALLATION

With the brackets installed and in open position (Fig. 2), place the track onto the brackets. The bracket arms may have to be rotated slightly to allow the track to fully engage the brackets.

Start in the centre and push the track straight up into the brackets. Rotate the bracket arms to the closed position. (Fig. 3)



4 PANEL INSTALLATION

Draw the cord so that all carriers are independent of each other in a closed position. This will make it much easier to install the panels onto the Velcro strips. Starting with the back panel, align the Velcro strip on the panel with the Velcro strip on the carrier. Beginning at one end, press the Velcro strips together across the panel carrier. Be sure to go back and press the Velcro to ensure a secure attachment. Repeat this step until all panels are attached. Once finished, the panels should all overlap.