

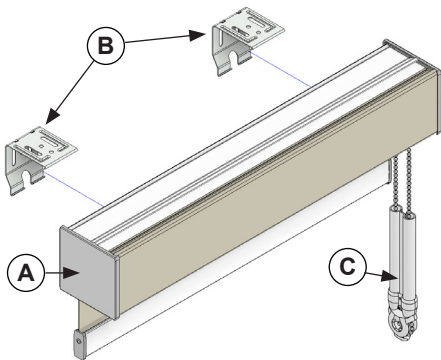


Roller Shade - Curved Cassette & Compact Curved Cassette

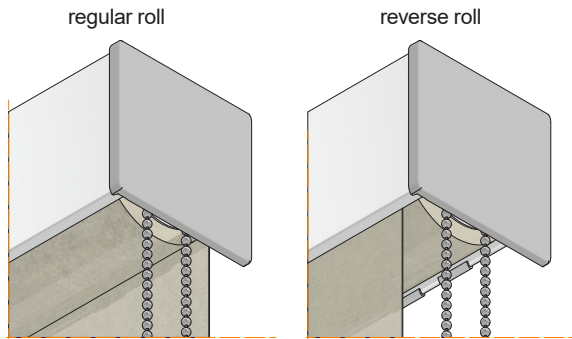
Installation Instructions

WARNING	MISE EN GARDE
<p>STRANGULATION HAZARD — Young children can be strangled by cords. Immediately remove this product if a cord longer than 22 cm or a loop exceeding 44 cm around becomes accessible.</p>	<p>RISQUE D'ÉTRANGLEMENT — Les enfants en bas âge peuvent s'étrangler avec des cordes. Enlevez immédiatement ce produit si une corde mesurant plus de 22 cm devient accessible ou si le contour d'une boucle de plus de 44 cm devient accessible.</p>

1 PREPARATION



Component List
A. Shade
B. Mounting Brackets
C. Safety Shield



Note: The Square Cassette can be configured in either reverse roll or regular roll. The installation process is identical regardless of this configuration.

2 DETERMINE NUMBER OF BRACKETS

Shade Width	<60"	60" to 96"	96" to 120"	120" to 148"	>148"
# of Brackets	2	3	4	5	6

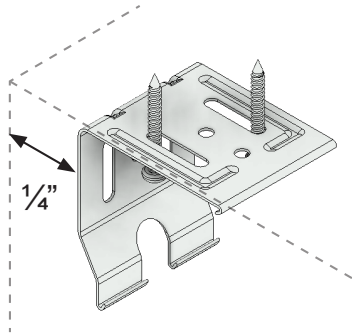
- Determine the proper position for each bracket. The outside brackets should be no further than 2" from the ends of the cassette.
- The brackets should be securely mounted and equally spaced for the width of the shade.
- It is important that the mounting brackets be installed level and aligned to each other. Shimming may be required.

3

MOUNT THE BRACKETS

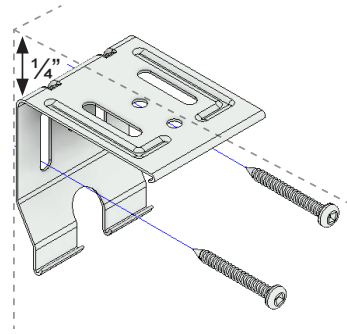
CEILING MOUNT

For ceiling mount applications, please ensure that you leave a 1/4" between the wall and the mounting bracket to facilitate mounting and dismantling.



WALL MOUNT

For wall mount applications, please ensure that you leave a 1/4" between the ceiling and the mounting bracket to facilitate mounting and dismantling.

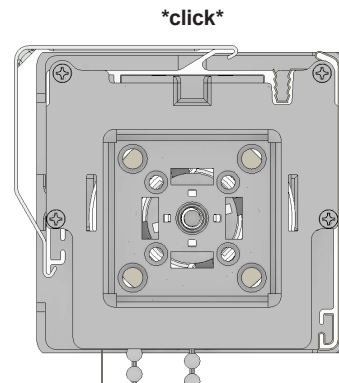
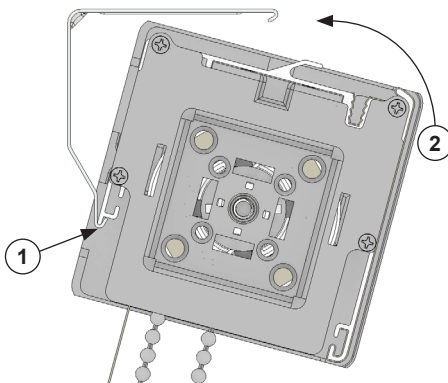


* 50mm bracket may vary in shape

4

INSTALL THE SHADE

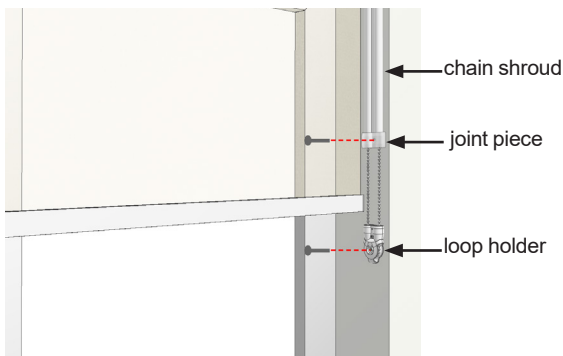
- With the front face of the cassette facing you, (1) insert the back edge of the cassette onto the bottom of each mounting bracket, as shown below.
- (2) Starting from the center of the shade, push the cassette back and up until the cassette snaps into the top tab of the mounting bracket.
- (3) You should hear an audible click as the cassette snaps in to the mounting brackets. Repeat this process for each bracket.



5

INSTALL THE SAFETY SHIELD

NOTE: For shades with chain operation only.
Ensure that Safety Shield is carefully and properly installed.



The loop holder and joint piece must be affixed to a wall or window frame.

Gently pull the loop holder taut and affix with a screw, then ensure that the chain shroud is raised before installing the joint piece with another screw.