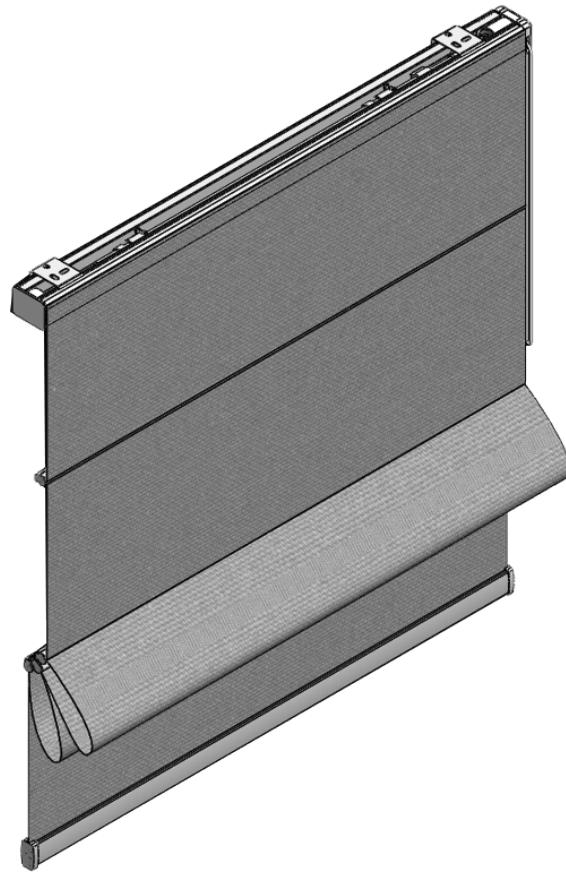




# FLAT ROMAN SHADE



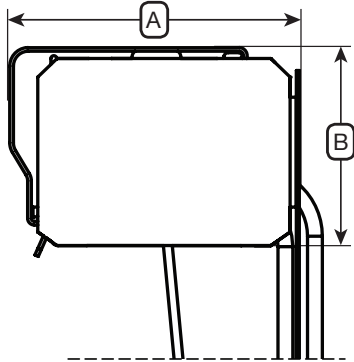
## FEATURES AND BENEFITS

- Classic elegance combined with modern function.
- No sew bars are applied in intervals of 8" to 10" height.
- Universal bracket provides easy installation for both ceiling and wall mount applications.
- Minimum width for manual Roman Shades is 18"
- Minimum width for automated Roman Shade is 24"
- 1.5" Versarail provides a finished look to the exterior.
- Cord is at side edge of the headrail. Fabric could be extended to cover cord if preferred.
- In order to maintain a clean look, no valance options are recommended.
- If valance is attached leave 3" of clearance between the valance and headrail to accommodate the folds of fabric in open position.



# FLAT ROMAN SHADE

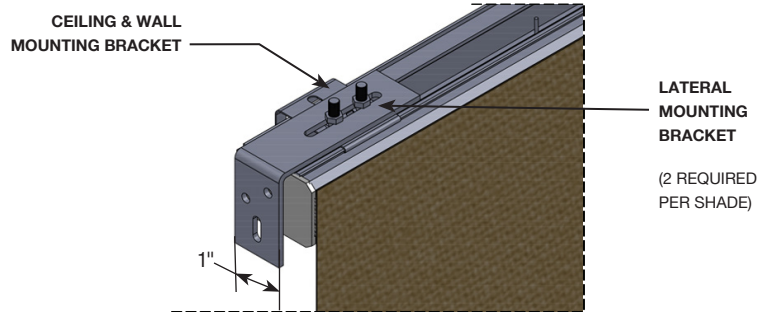
## MOUNTING OVERVIEW



### HEADRAIL DIMENSIONS

	1 1/2" Versarail
A	1 15/16"
B	1 3/8"

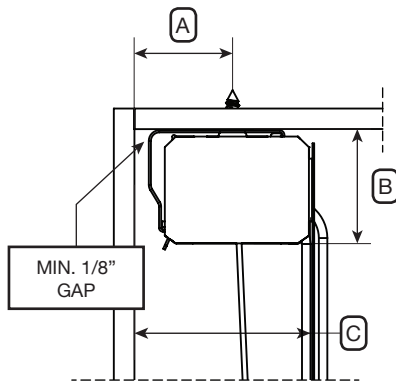
Shade Width	< 48"	49" - 72"	73" - 108"	109" - 144"	145" - 180"
# of Mounting Brackets	2	3	4	5	6



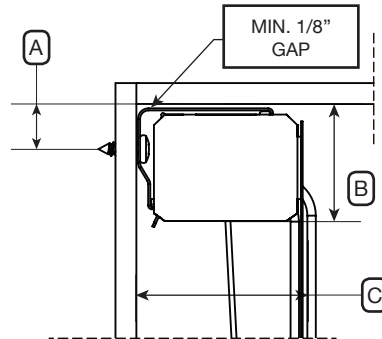
ISOMETRIC VIEW

## MOUNTING SPECIFICATIONS

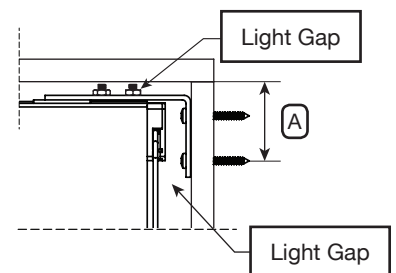
### Ceiling Mount



### Wall Mount



### Lateral Mount



LIGHT GAP MAY INCREASE BY 1/4" WHEN SHADE IS MOUNTED Laterally.

	A	B	C	A	B	C	A
1 1/2" Versarail	1 3/16"	1 3/8"	2 1/16"	1/2"	1 1/2"	1 15/16"	1 5/8"

**A** Measurement from wall to furthest screw

**B** Measurement from ceiling to bottom of cassette

**C** Measurement from wall to front of cassette

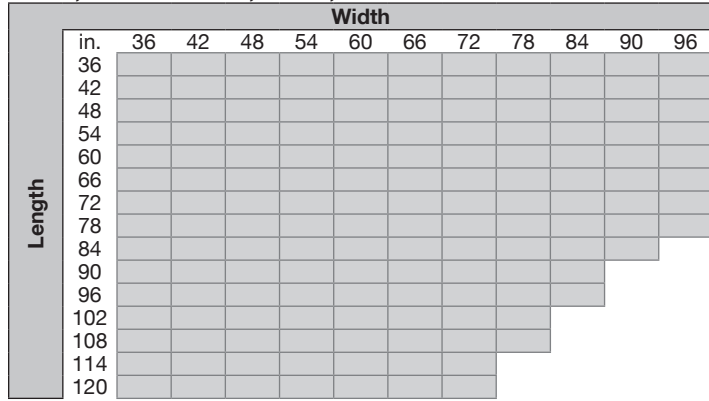


# FLAT ROMAN LIMITATION CHARTS

The shaded sections of the charts below indicate the maximum possible dimensions when using the fabrics associated with each chart, for both manual and motorized options; However, it does not mean they can reach the maximum size shown.

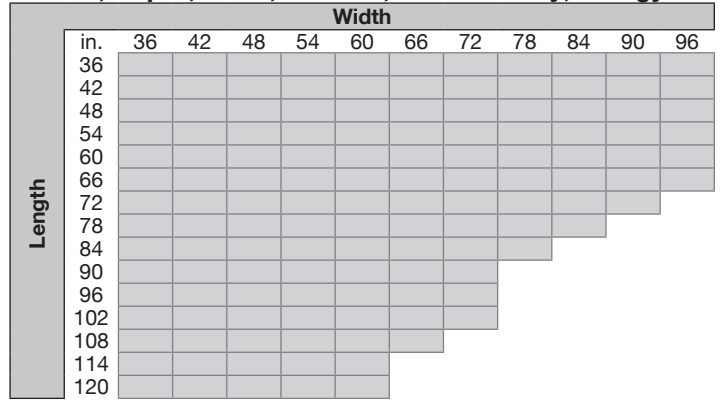
## Chart 1:

Apex View 2-3%, Apex View 4-5%, Bali, Boardwalk, Linen, Water Colour, Wave,



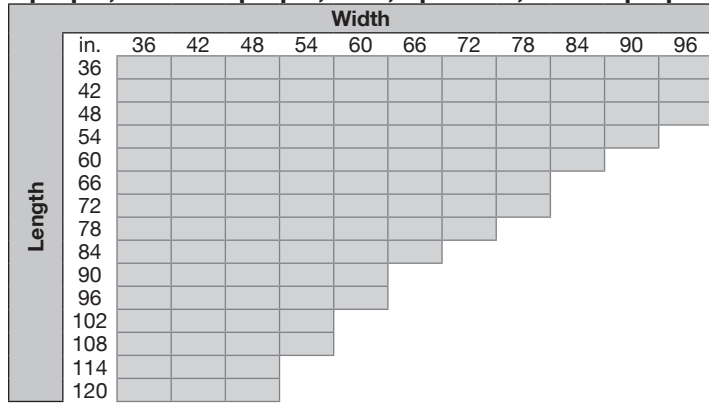
## Chart 2:

Earth2, Lattice Translucent, Matrix 2%, Matrix 5%, Merino, Paper, Reed, Rococo, Satin Privacy, Trilogy



## Chart 3:

Apex Opaque, Berber, Bubble, Denim Opaque, Flicker Opaque, Lattice Opaque, Mist, Splendor, Wool Opaque



## Chart 4:

CS 101, CS 103, CS 105, DX 201, DX 203, Gabardine, Satin Opaque

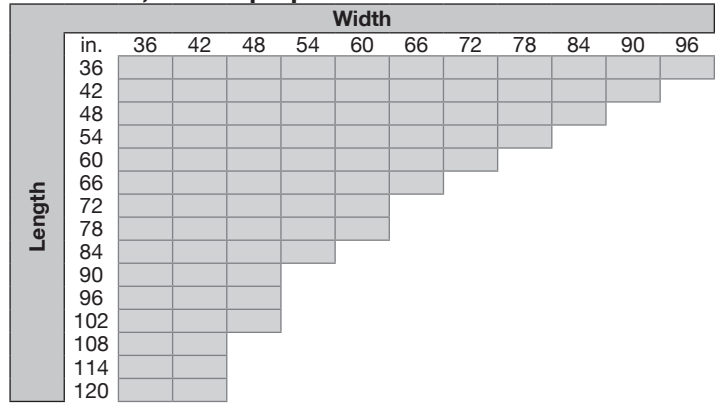


Chart	Fabric	Roll Width	Rail Road
3	Apex Opaque	94"	82"
1	Apex View 2-3%	120"	108"
1	Apex View 4-5%	94"	82"
1	Bali	82"	70"
3	Berber	108"	96"
1	Boardwalk	118"	106"
3	Bubble	98"	86"
4	CS 101	118"	106"
4	CS 103	118"	106"
4	CS 105	118"	106"
3	Denim Opaque	118"	106"
4	DX 201	118"	106"
4	DX 203	118"	106"
2	Earth2	108"	96"
3	Flicker Opaque	94"	82"
4	Gabardine	98"	86"
3	Lattice Opaque	108"	96"

Chart	Fabric	Roll Width	Rail Road
2	Lattice Translucent	108"	96"
1	Linen	118"	106"
2	Matrix 2%	92"	80"
2	Matrix 5%	92"	80"
2	Merino	82"	70"
3	Merino	72"	60"
2	Paper	79"	67"
2	Reed	108"	96"
2	Rococo	78"	66"
4	Satin Opaque	110"	98"
2	Satin Privacy	110"	98"
3	Splendor	110"	98"
2	Trilogy	79"	67"
1	Water Colour	118"	106"
1	Wave	90"	78"
3	Wool Opaque	94"	82"
1	York Solid	110"	98"

Minimum width for manual operation is 18".  
Minimum width for automatic operation is 24".